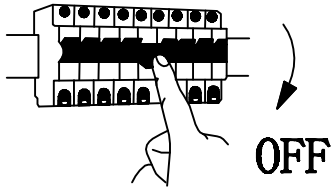


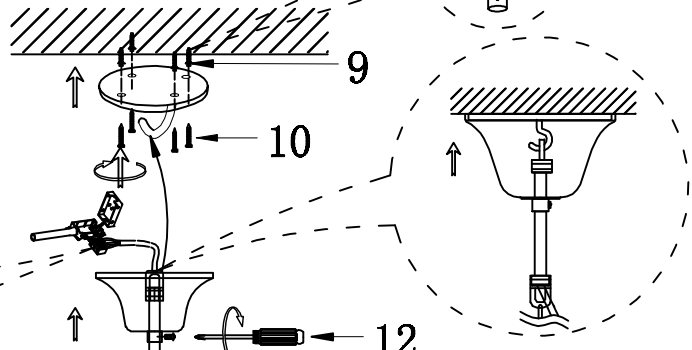
INSTRUCTION SHEET

A



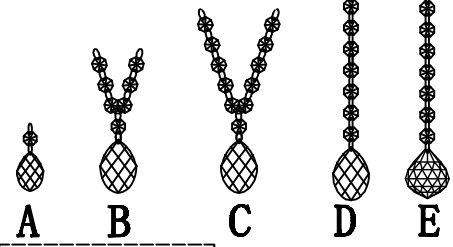
B

39095



11

12



A

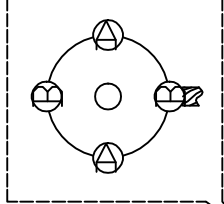
B

C

D

E

F



B

F

A

C

F

2

13

4

5

6

E

16

15

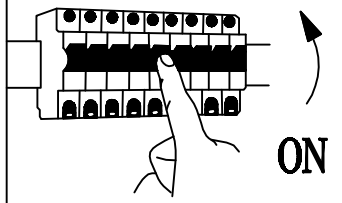
14

1

3

- A 12pc
- B 48pc
- C 12pc
- D 10pc
- E 1pc
- F 6pc

C



ON