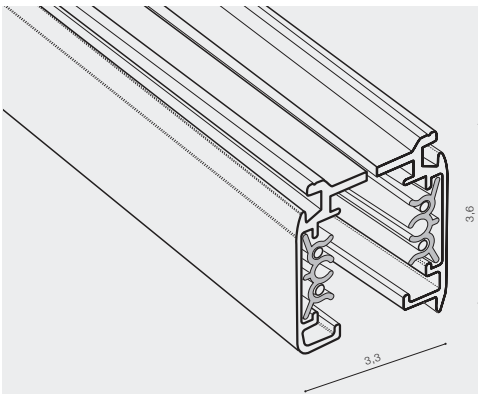


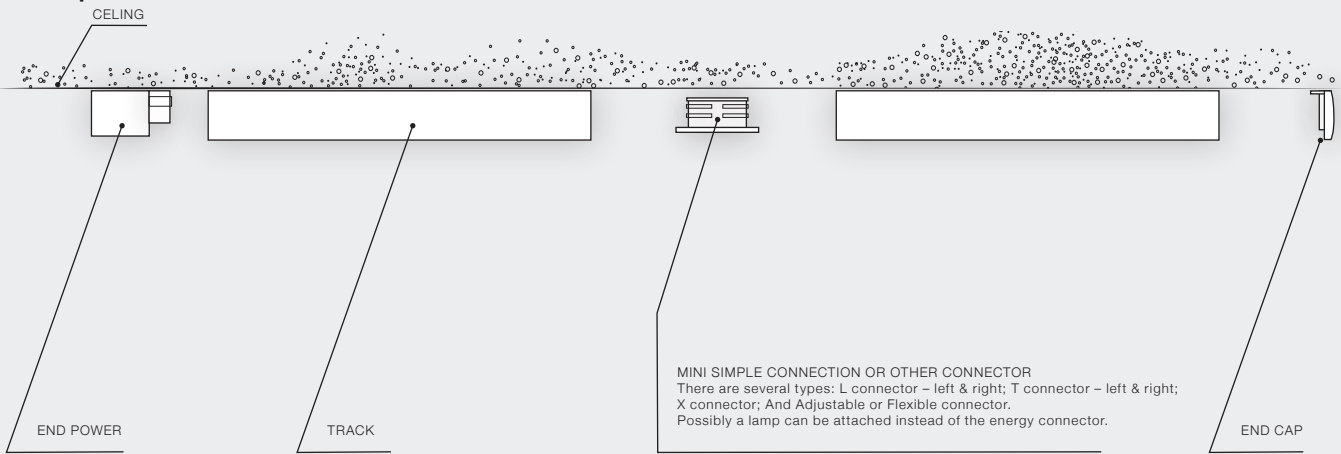
TRACK 3-LINE

Accessories for Track 3 Line

3-Li

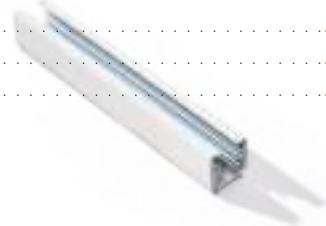


Example of the connection between track



TRACKS (1m, 1,5m, 2m, 3m)

- TRACK 1m (BLACK)AZ2973
- TRACK 1m (WHITE)AZ2974
- TRACK 1,5m (BLACK)AZ3000
- TRACK 1,5m (WHITE)AZ2999
- TRACK 2m (BLACK)AZ2975
- TRACK 2m (WHITE)AZ2976
- TRACK 3m (BLACK)AZ4272
- TRACK 3m (WHITE)AZ4271



Track Set (1m, 1,5m, 2m)

with THE END POWER + END CAP (All included)

- TRACK SET 1m (BLACK)AZ2987
- TRACK SET 1m (WHITE)AZ2991
- TRACK SET 1,5m (BLACK)AZ3001
- TRACK SET 1,5m (WHITE)AZ3002
- TRACK SET 2m (BLACK)AZ2992
- TRACK SET 2m (WHITE)AZ2988



* - EXPLANATION SHORTCUT PAGE 2 (E)